



WARNING

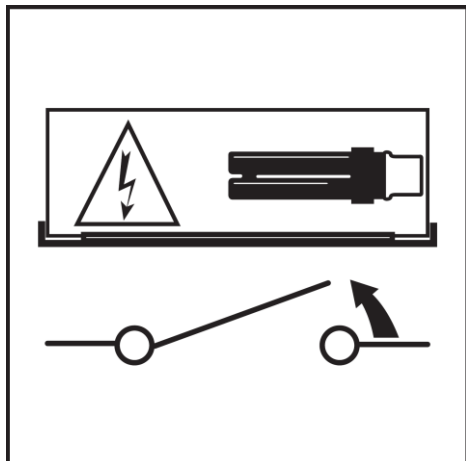
ANY MODIFICATION TO THIS FITTING IS FORBIDDEN WITHOUT PRIOR AUTHORIZATION

Our policy is the constant improvement of the product. We reserve the right to modify the characteristics of the equipment without prior notice. Please refer to the website www.arcluce.it for this and other technical documents continually updated.

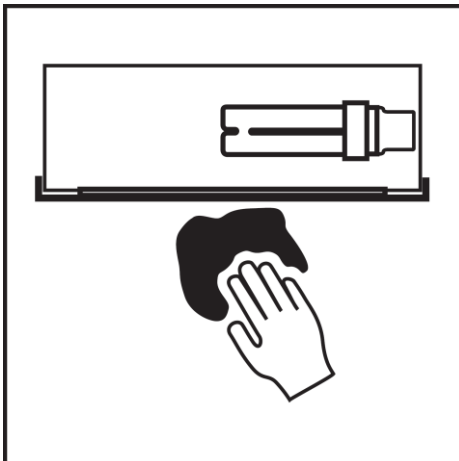
All information is presented in good faith. no responsibility may be imputed to us for errors, omissions or incorrect interpretations.

The photographs and drawings are within the limits of the quality of the printed reproduction, not binding and indicative only.

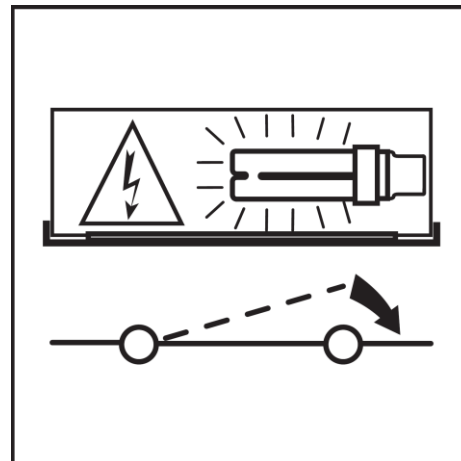
CLEANING



Turn off power.
Togliere l'alimentazione.
Coupez le courant.



Regularly clean the luminaire.
Pulire regolarmente l'apparecchio.
Nettoyez régulièrement l'appareil.



Make functional test.
Effettuare test funzionale.
Exécutez un test fonctionnel.

Data di emissione: 32.01.2020

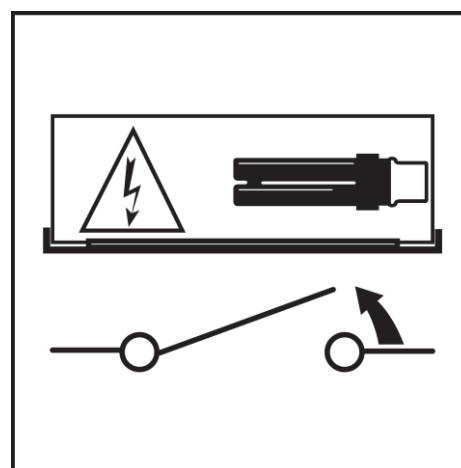
DISPOSAL



Do not throw away in normal waste bins.
Non gettare tra i rifiuti comuni.
Ne jetez pas à la poubelle.

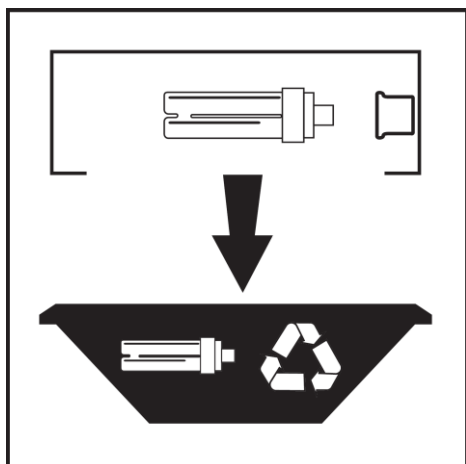


Dispatch materials to recycling plant.
Eliminare l'apparecchio in un centro di raccolta.
Emmener l'appareil dans un centre de collecte autorisé.

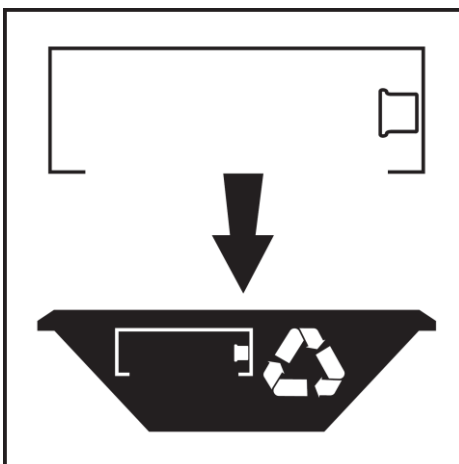


Turn off power.
Togliere l'alimentazione.
Coupez le courant.

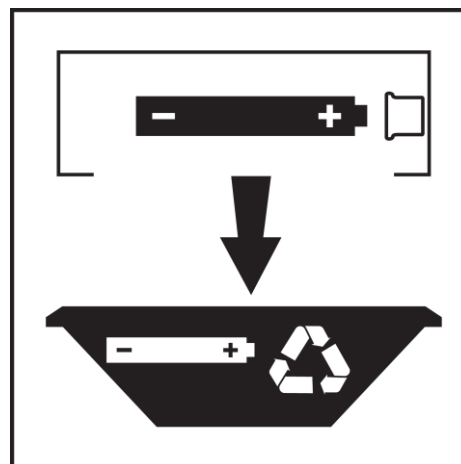
Stato di modifica: MO



Remove lamp for disposal.
Rimuovere la lampada da eliminare.
Enlevez l'ampoule à jeter.



Remove luminaire for disposal.
Rimuovere l'apparecchio da eliminare.
Enlevez le luminaire à jeter.



Remove battery for disposal.
Rimuovere le batterie da eliminare.
Enlevez les batteries à jeter.

Codice: 655000011