



## ACCESSORIES

### WARNING



#### ANY MODIFICATION TO THIS FITTING IS FORBIDDEN WITHOUT PRIOR AUTHORIZATION

Our policy is the constant improvement of the product. We reserve the right to modify the characteristics of the equipment without prior notice. Please refer to the website [www.arcluce.it](http://www.arcluce.it) for this and other technical documents continually updated.

All information is presented in good faith. no responsibility may be imputed to us for errors, omissions or incorrect interpretations.

The photographs and drawings are within the limits of the quality of the printed reproduction, not binding and indicative only.

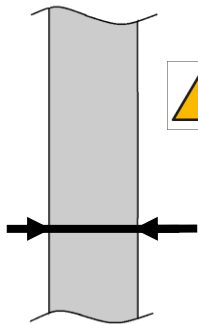
The safety and the proper functioning of the fitting is guaranteed only respecting the electrical Standards and these mounting instructions; therefore it's necessary to keep them.

Installation should be carried out by a suitable qualified person. Always refer to electrical data on the fixture label.

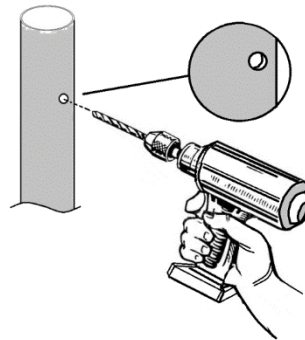
## INSTALLATION

1. Drill hole for supply wire.
2. Assemble correct bracket following sequence and using nuts and washers supplied.

1

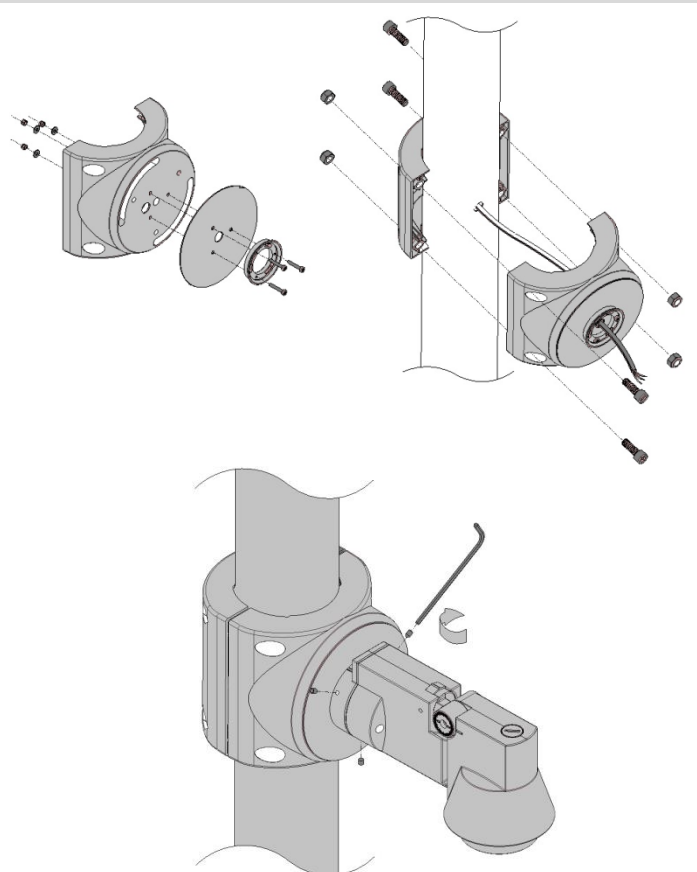


Only for poles :  
Ø102 (Ø4")

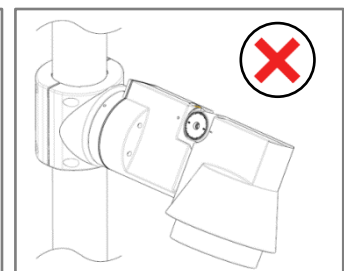
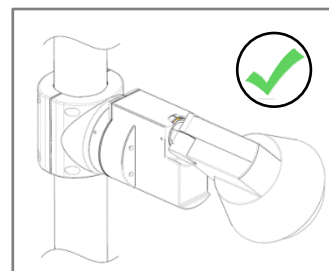
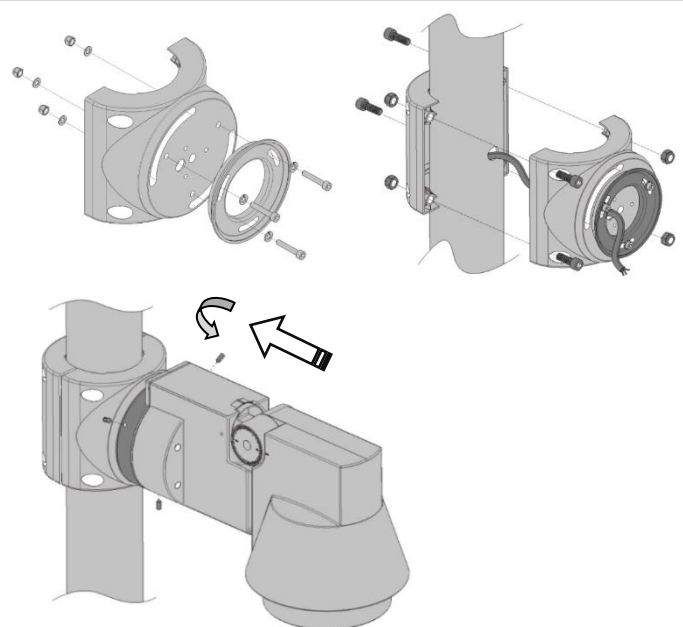


Remove any residual burr and  
apply anticorrosion grease for  
protection.

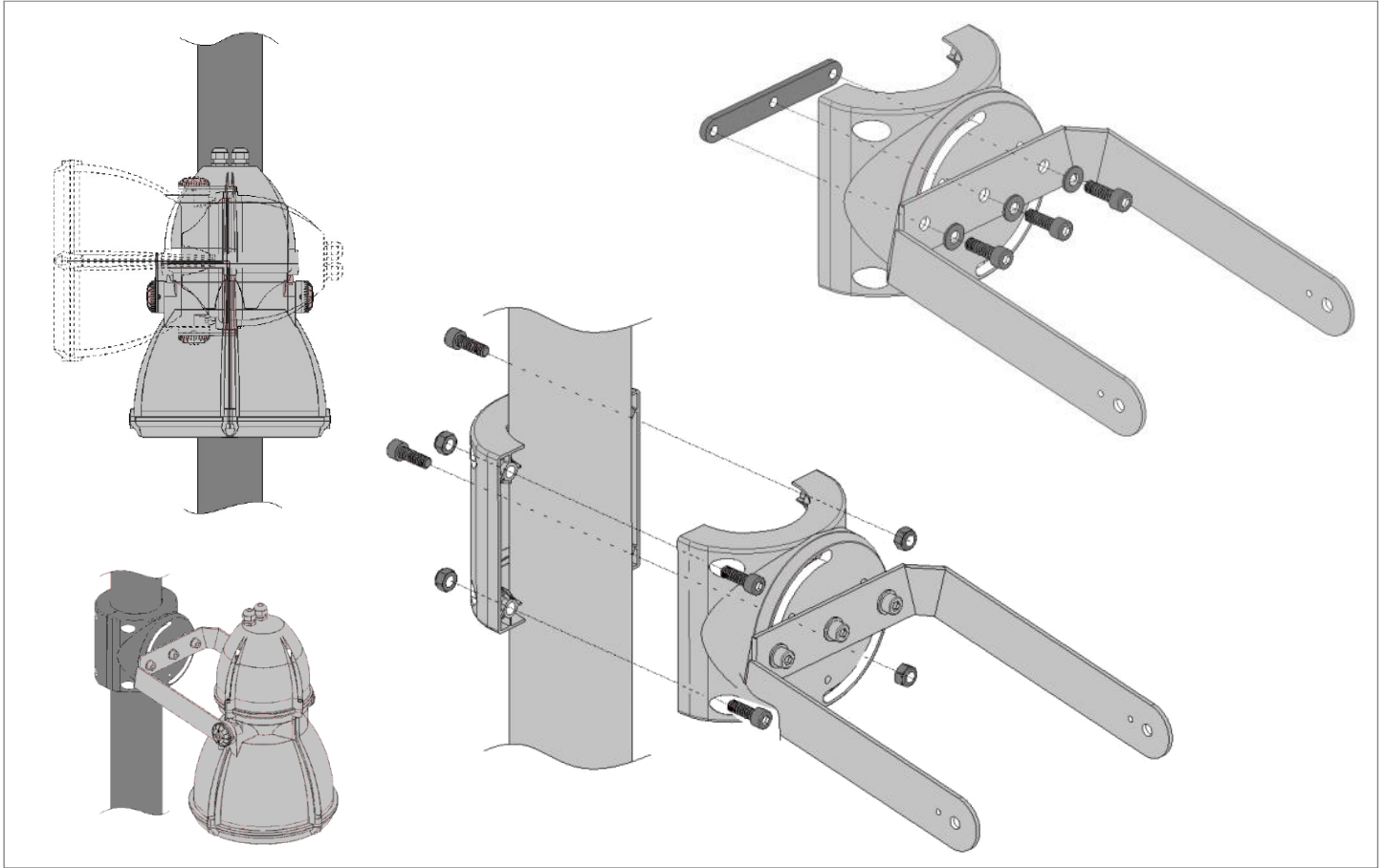
### DUEDIECI



### DUEVENTI

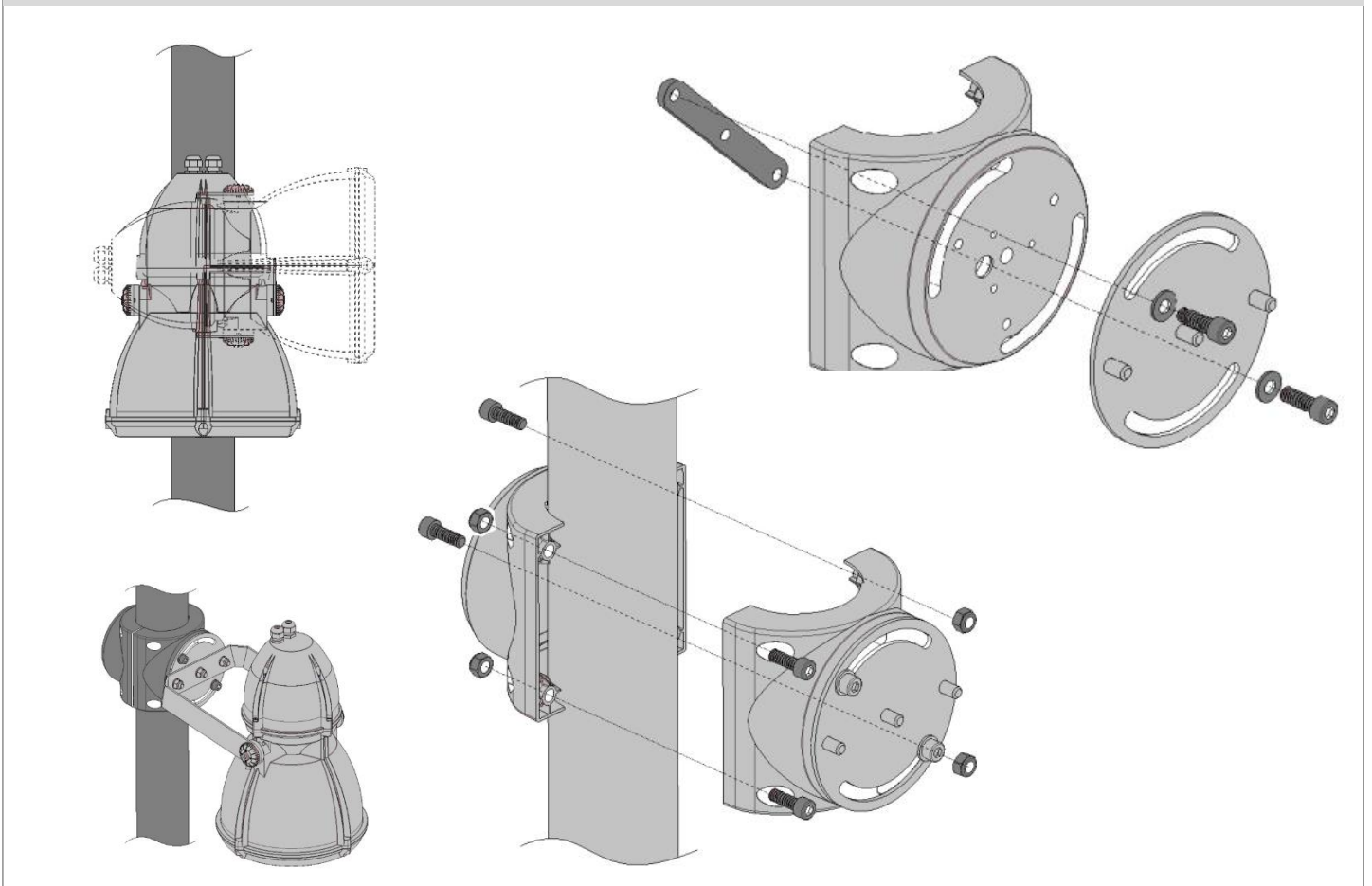


## PANTHEON2 – MOTO – FORMAT – single side



Data di emissione: 12.03.2020

## PANTHEON2 – MOTO – FORMAT – double side



Stato di modifica: M1

Codice: 6558947.11